



The Camfil CamSafe 2 is a vertical flow air filter housing designed for critical applications where the contaminants being removed by air filtration may present a hazard to those servicing the filters or occupants of the building. Air filter changes are performed using a bag-in/bag-out process wherein contaminated filters are secured within a thick plastic bag effectively encapsulating the contaminants of concern within a secure container. The filters may then be removed from the premises and disposed of as hazardous waste or other safety-oriented disposal process.

Each CamSafe 2:

- Is manufactured of 14-gauge painted carbon steel and offers a light weight option to industrial level housings
- Includes all-welded joints and junctures to ensure that all air passes through the filters and that there is no leakage from inside of the housing to room ambient
- Includes a door opening integral bagging ring configured with ridges to facilitate a safe filter change without jeopardizing the safety of the service person
- Includes a removable access door of the same construction components and performance integrity as the housing
- Includes a fully welded filter mounting frame that facilitates the installation of a gasket seal Absolute® particulate filter or HEGA. The frame will accept a standard box HEPA filter configuration allowing for upgrade to energy saving filter configurations or additional airflow in air-starved applications
- An optional visual inspection port allows confirmation of filter and bag installation
- Is available with an optional 2" prefilter for high loading applications to increase the life of the HEPA filter or HEGA
- Is guaranteed to 10" w.g.
- May be installed for up flow or down flow applications
- Includes one 8mil plastic change-out bag per door.
- Is available with an aerosol mixing module and filter evaluation kit. Contact factory for details.

Options also include a bag changing kit and a handling table to support filter during filter change. Common applications include:

- Critical hospital areas
- Animal facilities
- Pharmaceutical manufacturing or processing
- Safety or hazardous handling laboratories
- Industrial or chemical facility processing
- Biotech and biosafety applications.

### Secure removal of contaminants in a lightweight bag-in/bag-out housing



Example

## CAMSAFE 2 SAFE CHANGE FILTER HOUSING

The features in this safe change filter housing system are unmatched in today's market. The CamSafe 2 can provide a contamination free filter change with these unique features.

### 1 LEAK TIGHTNESS

All pressure boundaries are fully welded. Each housing is factory pressure tested up to a positive a 10" w.g. [2490Pa].

### 2 GASKET SEALING FRAME

Rigid sealing gasket frame is fully welded on the four corners.

### 3 CLAMPING DEVICE

#### TRIPLE THE SECURITY

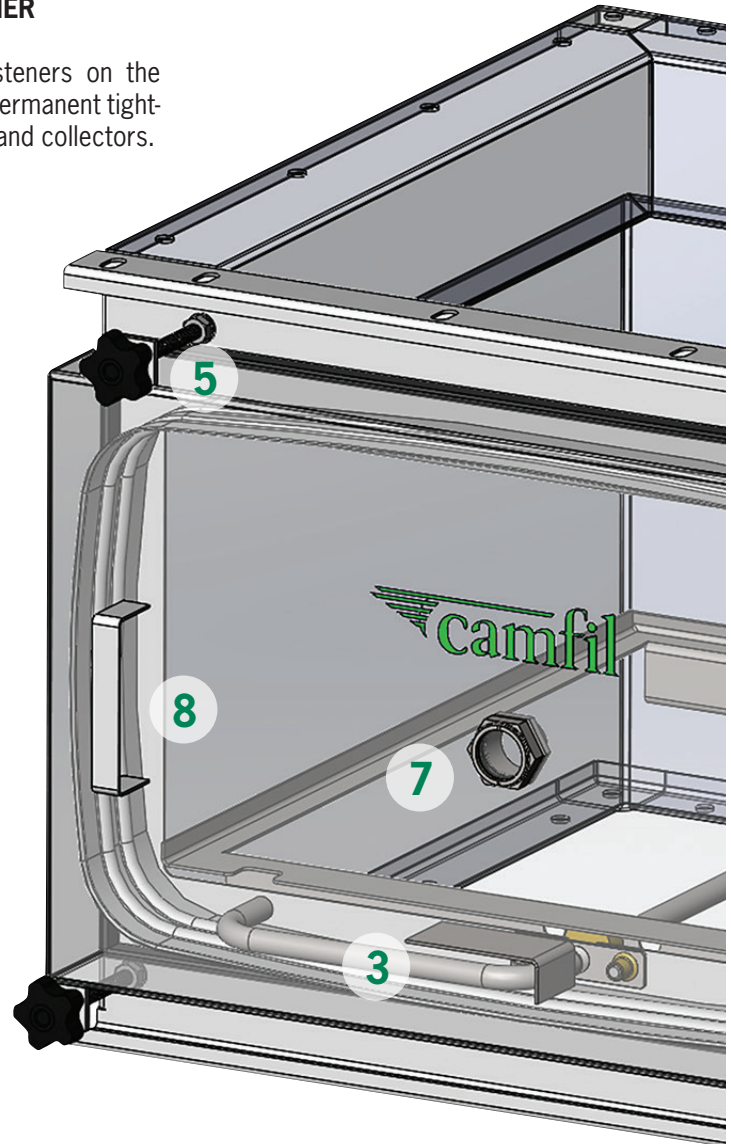
Patented filter safety positioning device makes it impossible to clamp the filter unless it is installed correctly. This unique Camfil feature increases the safety level by eliminating incorrect filter installations.

### 4 MISTAKE PROOF DOOR

Door interlocking tab makes it impossible to close the door if the clamping shaft is not in the locked position.

### 5 CORNER FASTENER

Strategically placed fasteners on the flange corners provide permanent tightness between the units and collectors.



### 6 LIGHT WEIGHT DESIGN

The new light weight design preserves the robustness of our CamSafe, yet ensures easier installation and maintenance.

### 7 INSPECTION WINDOW

The shatter resistant glass inspection viewport confirms the presence of an installed change-out bag and filter.



#### Standard Absolute

Available in standard (1100 cfm) or high capacity (1500 cfm) in efficiencies from 99.97 at 0.3 micron to 99.9995 at most penetrating particle size the Camfil Absolute removes particles that may be hazardous to building occupants or the environment.



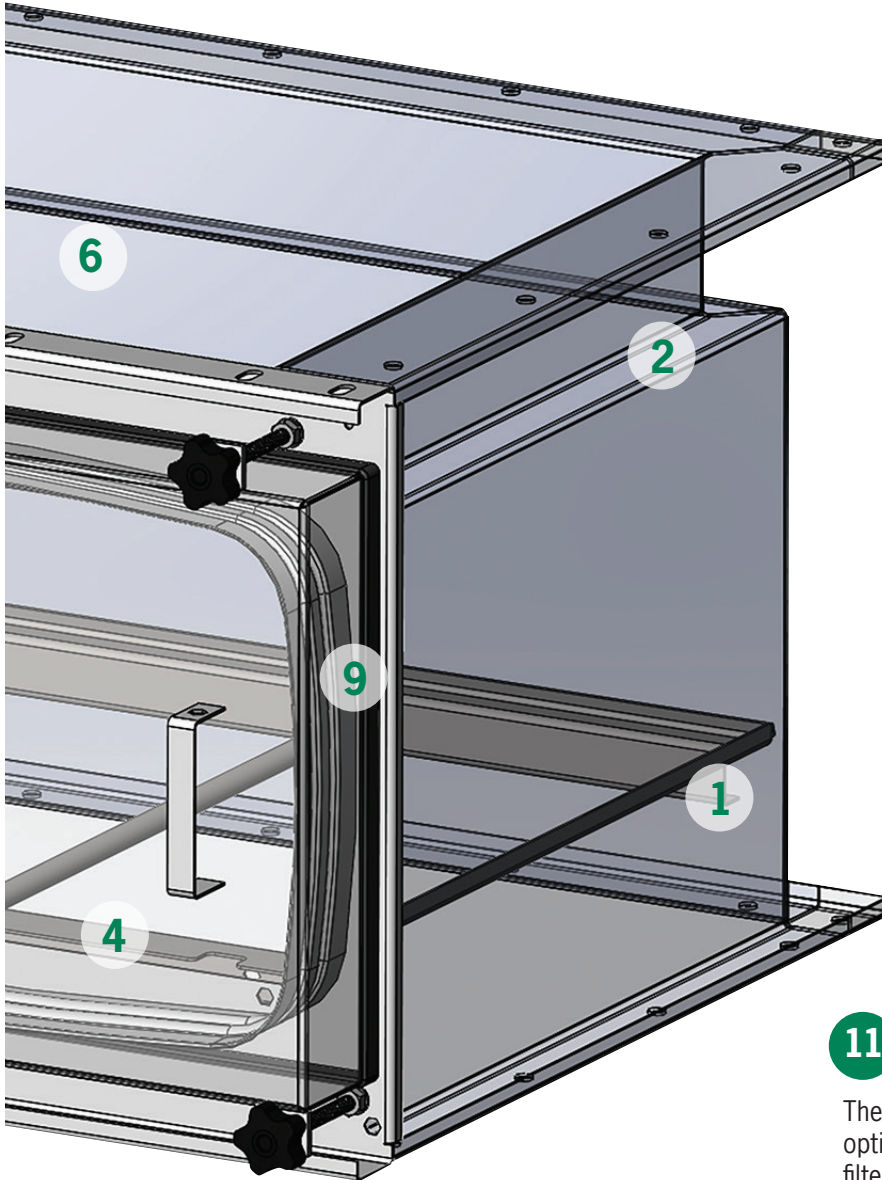
#### Camfil VG or Filtra 2000 Absolutes

V-bank HEPA filters in available in efficiencies from 99.97 at 0.3 micron to 99.9995 at most penetrating particle size offer energy savings or increased airflow in energy starved applications (VG model shown).

## CAMSAFE 2 SAFE CHANGE FILTER HOUSING

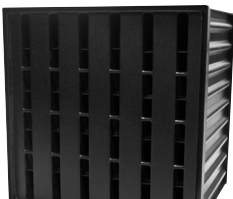
### 9 BAG ATTACHMENT

It's easy to attach the bag because of the bagging ring's large concave groove and the shock cord's integration into the change-out bag. One person can do it, while wearing gloves, quickly and without compromising safety. With a few simple steps, the bag fits tight to the housing.



### 8 ACCESS DOOR ATTACHMENT

Replaceable door studs maintain housing integrity and ensures easy maintenance.



**HEGA**  
Camfil high efficiency gas adsorbers (HEGA) remove gaseous contaminants that may be hazardous to building occupants or the environment. Adsorber media blending is available to address a wide variety of gaseous contaminants.

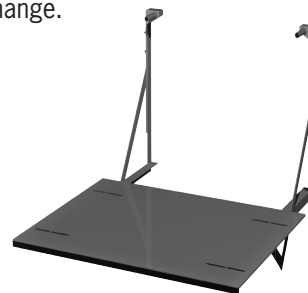
### 10 SECURE BAG

The CamSafe 2 safety bag is designed to offer the highest level of protection and convenience for the operator. It is made of a 8mil [200 micrometer (0,2 millimeter)] thick plastic, which makes it heavy duty and tear proof. It has an integrated O-ring for quick and easy mounting. The safety bag has a special sleeve function which securely removes any residue from the previous bag.



### 11 HANDLING TABLE

The CamSafe 2 has a handling table option designed to facilitate an efficient filter change.



### Performance Data

#### EXAMPLE: CamSafe 2 Model Designator

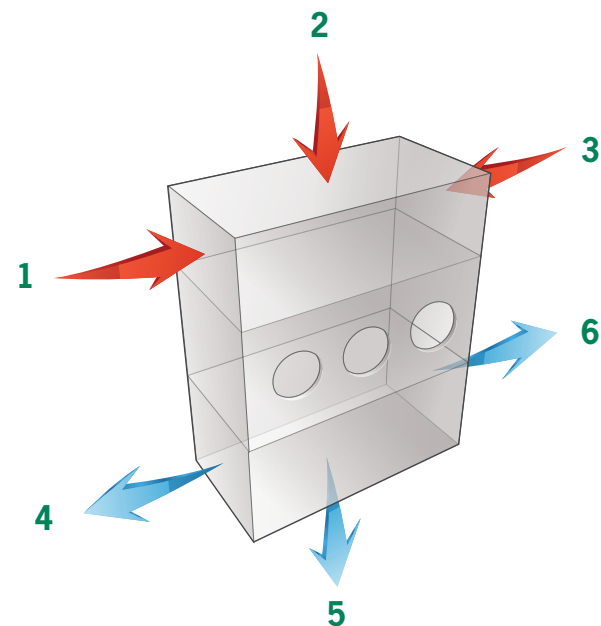


	Designator	Description
Product	<b>CS2</b>	CamSafe 2
Model Size	<b>305</b> <b>610</b>	24" x 12" x 11.5" 24" x 24" x 11.5"
Configuration	<b>I*</b> <b>F</b> <b>PF + F</b> <b>S*</b>	Upstream aerosol injection section (1) HEPA filter (1) Prefilter and (1) HEPA filter Integrated test probe *Downward airflow configuration only
Material	<b>PNTD</b>	Painted carbon steel
Options	<b>WIN</b> <b>ATEX</b> <b>NA</b>	Window (safety inspection viewport) ATEX regulations (European) equipment in an explosive atmosphere North American filter option
Bank	<b>1</b> <b>2</b> <b>3</b>	One bank Two banks Three banks
Collector Inlet Orientation	<b>1</b> <b>3</b>	Top left side Top right side
Collector Outlet Orientation	<b>4</b> <b>6</b>	Bottom left side Bottom right side

#### COLLECTORS:

NC	No Collectors
	<b>INLET</b>
1	TOP LEFT SIDE
2	--
3	TOP RIGHT SIDE
	<b>OUTLET</b>
4	BOTTOM LEFT SIDE
5	--
6	BOTTOM RIGHT SIDE

Filter classification	Model size	Size H x W x D (in)
Prefilter	305	24 x 12 x 2
Prefilter	610	24 x 24 x 2
HEPA filter gasket sealed	305	24 x 12 x 11.5
HEPA filter gasket sealed	610	24 x 24 x 11.5
HEGA	305	24 x 12 x 12
HEGA	610	24 x 24 x 12



For detailed specifications please consult your local Camfil Distributor, Representative, or [www.camfil.com](http://www.camfil.com). Camfil has a policy of uninterrupted research, development, and product improvement. We reserve the right to change designs and specifications without notice.



For assistance specific to this product, please contact Camfil's Washington, NC facility at [Sales-WA@camfil.com](mailto:Sales-WA@camfil.com) or telephone at (877) 658-6588.



Camfil | 1 North Corporate Drive, Riverdale, NJ 07457 | Tel: (973) 616-7300